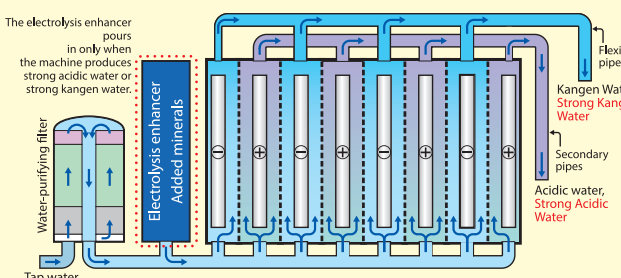


Four reasons to love your new K8.

point 1 Electrolysis cell with 8 electrode plates for maximum results.

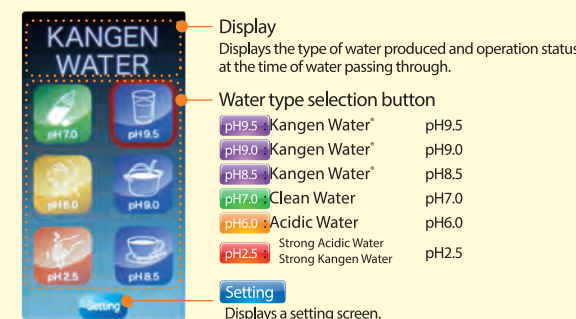
It is possible to produce a large volume of beneficial electrolyzed water, with ORP values from +1130 mV to -800 mV, by loading an electrolytic cell with eight electrode plates made of platinum-plated titanium. Kangen Water® contains an abundance of hydroxide ions (OH-) and positive ions (such as calcium) produced by electrolysis. It also contains hydrogen.



point 2 A large, easy-to-read, touch screen LCD panel.

The digital panel displays the waters (Strong Kangen Water®, Kangen Water®, Clean Water, Acidic Water, and Strong Acidic Water) being produced and other information. Easy to operate! Create new water with one touch!

※ Pressing the pH2.5 button simultaneously produces Strong Acidic Water from the spout and Strong Kangen Water from the flexible pipes.



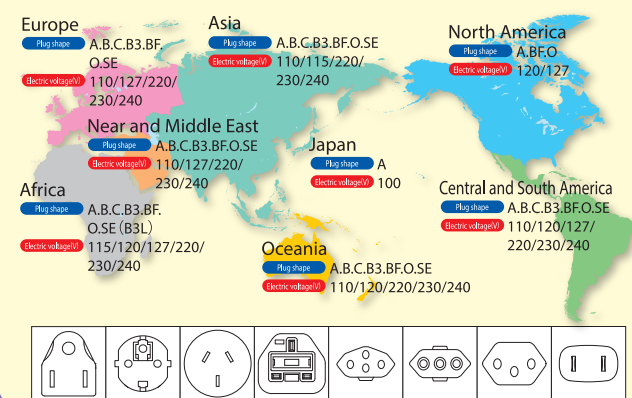
point 3 8-language display and voice prompt, for efficiency and ease of use.

For display and voice prompt, you can select from 8 languages: Japanese, English, French, German, Chinese, Italian, Spanish and Portuguese (voice prompt changes automatically upon change of language display).



point 4 Supporting multi-voltage power input, for use anywhere in the world.

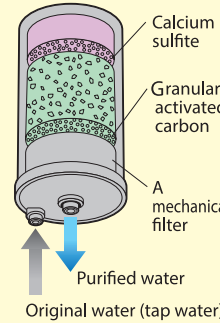
Voltages and plug shapes for power supply vary depending on country and region. The K8 comes with the power supply cord for your country of use.



The three-layered, high-powered water cleaning filter creates delicious water.

You will be able to use your water cleaning filter until the total of water the filter has treated reaches around 1,600 gallons. If your machine filters 8 gallons a day, the filter will last around 6 months. When the filter needs to be replaced, the LCD, voice prompt and alarm will sound.

The three-layered cleaning filter removes lead, chlorine, effluvia, rust and impurities while preserving beneficial minerals.



When Kangen Water® flows from the flexible pipe, acidic water simultaneously flows from the secondary pipe. When Strong Kangen Water flows from the flexible pipe, Strong Acidic Water flows from the secondary pipe.

(The flexible pipe releases acidic water only when you push the button for acidic water.)

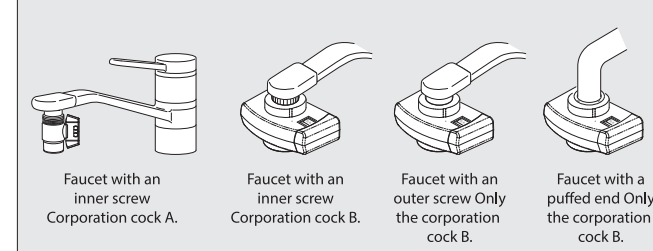
With the one-touch convenience of the diverter, change between



TAP Tap water (Straight)

NO SPECIAL INSTALLATION REQUIRED. The diverter included with unit will fit almost any type of faucet.

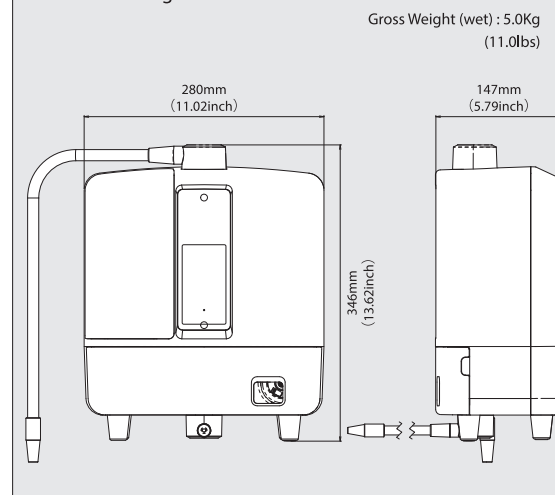
Faucet types and diverter



[Option Items]

- Replacement Water Filter
 - Optional type for Chlorine & Lead (pb) removal.....MW-F8
 - Mineral tank set.....(mineral tank (with cap for adding mineral powder) and 15g of calcium lactate)

Scale drawing



Standard Specifications

MODEL NAME · NUMBER	LevelLuk K8 A26-00	FILTERING MEDIUM	Granular Activated Charcoal & Calcium Sulfite															
WATER SOURCE CONNECTION	1-way diverter (TAP/ION) connects to end of faucet	WATER FILTER	<table border="1"> <tr> <td>FILTRATION ABILITY</td> <td>FREE RESIDUAL CHLORINE</td> <td>Total water flow : 1,600 gallons or more</td> </tr> <tr> <td></td> <td>INITIAL CHLORINE REMOVAL</td> <td>Removal rate / JIS53201 Test : 80%</td> </tr> <tr> <td></td> <td>ELEMENTS NOT REMOVABLE</td> <td>95% or more</td> </tr> <tr> <td></td> <td>Time to exchange the filter</td> <td>Metallic ions and/or salinity present in original tap water</td> </tr> <tr> <td></td> <td>Time to exchange the filter</td> <td>When the filter has treated over 1,600 gallons of water (this figure depends on the quality of water)</td> </tr> </table>	FILTRATION ABILITY	FREE RESIDUAL CHLORINE	Total water flow : 1,600 gallons or more		INITIAL CHLORINE REMOVAL	Removal rate / JIS53201 Test : 80%		ELEMENTS NOT REMOVABLE	95% or more		Time to exchange the filter	Metallic ions and/or salinity present in original tap water		Time to exchange the filter	When the filter has treated over 1,600 gallons of water (this figure depends on the quality of water)
FILTRATION ABILITY	FREE RESIDUAL CHLORINE	Total water flow : 1,600 gallons or more																
	INITIAL CHLORINE REMOVAL	Removal rate / JIS53201 Test : 80%																
	ELEMENTS NOT REMOVABLE	95% or more																
	Time to exchange the filter	Metallic ions and/or salinity present in original tap water																
	Time to exchange the filter	When the filter has treated over 1,600 gallons of water (this figure depends on the quality of water)																
POWER SUPPLY	AC 100-240V, 50/60Hz 2.0-1.0A (with ground)	APPLICABLE WATER QUALITY AND PRESSURE	Municipally supplied drinking water with a dynamic range in 100~450 kPa															
POWER CONSUMPTION	Approx. 200W (under max electrolysis function)	ELECTROLYSIS ENHANCER	Solution additive pump system															
SYSTEM	Continuous Ionized Electrolysis Water Generator System (with built-in flow rate sensor)	ENHANCER REFILLING	Indicates by Voice prompt and LCD															
PRODUCTION RATE (per minute)	<table border="1"> <tr> <td>Kangen Water®</td> <td>: 4.5 ~ 8.0(L)</td> <td>1.2 ~ 2.1 (gallons)</td> </tr> <tr> <td>Acidic Water</td> <td>: 1.5 ~ 3.0(L)</td> <td>0.4 ~ 0.8 (gallons)</td> </tr> <tr> <td>Strong Acidic Water</td> <td>: 0.6 ~ 1.5(L)</td> <td>0.16 ~ 0.4 (gallons)</td> </tr> </table>	Kangen Water®	: 4.5 ~ 8.0(L)	1.2 ~ 2.1 (gallons)	Acidic Water	: 1.5 ~ 3.0(L)	0.4 ~ 0.8 (gallons)	Strong Acidic Water	: 0.6 ~ 1.5(L)	0.16 ~ 0.4 (gallons)	PROTECTOR	Current Limiter/Voltage Stabilizer & thermal protection						
Kangen Water®	: 4.5 ~ 8.0(L)	1.2 ~ 2.1 (gallons)																
Acidic Water	: 1.5 ~ 3.0(L)	0.4 ~ 0.8 (gallons)																
Strong Acidic Water	: 0.6 ~ 1.5(L)	0.16 ~ 0.4 (gallons)																
LEVEL SELECTIONS	<ul style="list-style-type: none"> ● Kangen water® / 3 levels (approx. pH8.5/pH9.0/pH9.5) ● Clean water (approx. pH7.0) ● Acidic water (approx. pH6.0) ● Strong Acidic water (approx. pH2.5) ● /Strong Kangen water (approx. pH11.0) 	CELL CLEANING METHOD	Auto double cleaning system (Kangen refresh/passing water cleaning)															
CELL CLEANING METHOD	Auto double cleaning system (Kangen refresh/passing water cleaning)	ELECTRODE MATERIAL	Platinum-plated Titanium															

SAFETY PRECAUTIONS For your own safety, be sure to observe the following precautions

<h4>WARNING</h4> <ul style="list-style-type: none"> ● Please read the Operation Manual carefully, and follow all instructions. ● Pay strict attention to the following points before consuming ionized alkaline water (KANGEN WATER®): <ul style="list-style-type: none"> (1) Do not take medicine(s) with KANGEN WATER®. (2) Those with acidity conditions should not consume KANGEN WATER®. (3) Should you experience any abnormal feelings after consuming ● KANGEN WATER®, discontinue use immediately. Also, consult with your physician prior to consuming KANGEN WATER®. Should you have any concerns. ● Those under the care of a physician should consult with their physician before consuming KANGEN WATER®. ● Those with sensitive skin or allergies should consult their physician before consuming KANGEN WATER®. ● Those with allergic reactions or sensitivity to acidic water should consult their physician. 	<h4>CAUTION</h4> <ul style="list-style-type: none"> ● For those drinking KANGEN WATER® for the 1st time: <ul style="list-style-type: none"> It is recommend the you start drinking KANGEN WATER® at 8.5pH with 1~2 glasses/day for on week. ● You can then gradually increase the pH level. ● Should you experience a rash after drinking KANGEN WATER®: <ul style="list-style-type: none"> Those with allergies to certain foods may experience rash-like symptoms. Consult with your physician. ● Use municipally-treated tap water.
--	---

- The specifications or appearance of the product are subject to manufacturer's improvements without prior notice.
- Please be aware that actual products may differ slightly in color, etc from that seen in print.
- For more information about the product, please inquire with the sales dealer in your district or area.
- Every product has an accompanying warranty card, which shall be filled in and issued by the Representative Sales Firm. Please check the contents and keep it in safe place for later use during the period of warranty.



Distributor

Enagic USA, Inc.
4115 Spencer Street
Torrance, CA 90503
TEL: 424-307-0005
FAX: 310-347-4447
Office Hours: Monday-Saturday 9 a.m. ~ 5:30 p.m.

Enagic Canada Corp.
Suite #101-7460 Edmonds Street,
Burnaby, BC, V3N 1B2, Canada
TEL: 604-214-0065
FAX: 604-214-0067
Office Hours: Monday-Friday 9 a.m. ~ 5 p.m.

Manufacturer

Enagic Osaka Factory
1-40-1 Hoshida-kita Katano City, Osaka 576-0017 Japan
Phone: 072-893-2290 Fax: 072-893-8007

Experience the Benefits of Kangen Water®

LevelLuk KANGEN 8

Continuous Ionized Electrolysis Water Generator



- Eight Powerful Electrode Plates
- Large LCD Touch Panel Display
- Eight-Language Display and Voice Prompt
- Multi-Voltage Power Input (100~240V) for Anywhere in the World

Customize your pH levels with 5 types of water to enhance your body, life, and environment.

Sanitary water

Strong Acidic Water pH2.7 and below
 ⚠️ Not suitable for drinking!
 pH2.5 button touch from the secondary pipe (At the same time, Strong Kangen Water will be released from the flexible pipe.)

Cleaning Power

Excellent chemical-free cleanser.

- Clean produce, meat, cookware, cutlery, toothbrush, hands, and skin.
- Remove stains
- Eliminate odors

What is Strong Acidic Water?

Strong Acidic Water is a type of electrolyzed water containing hypochlorous acid. It can only be made when Enagic electrolysis enhancer is added to the electrolysis reaction. In general, the pH is below 2.7 and the ORP is more than 1,100 mV. It is not a strong acidic chemical substance.



Environmentally friendly water

Strong Kangen Water pH11.0 or higher
 ⚠️ Not suitable for drinking!
 pH2.5 button touch from the flexible pipe (At the same time, Strong Acidic Water will be released from the secondary pipe.)

Cleaning Power

Can dissolve and clean materials.

Absorption Power

Softens materials quickly.

Dissolving Power

An effective solvent that can draw out substances.

What is Strong Kangen Water?

Strong Kangen Water is a type of electrolyzed water with an electron potential containing sodium hydroxide. In general, the pH is over 11.0 and the ORP is 700 mV or less. It is not a strong alkaline substance.

Strong Kangen Water is an effective, chemical-free cleanser and degreaser for your daily life.

- To clean cutting boards, knives, and dishes
- Stain removal (clothing, floors, surfaces, bathroom)
- For laundry (reduces need for detergent)
- Improve flavor and texture of raw vegetables
- Clean produce and meat



※ Pro Tip: Clean with Strong Acidic Water AFTER first cleaning with Strong Kangen Water.

Healthy water

Kangen Water pH 8.5 - 9.5
 Suitable for drinking
 pH9.5 pH9.0 pH8.5 button touch from the flexible pipe (At the same time, Acid Water will be released from the secondary pipe.)

Absorption Power

Softens materials quickly.

Dissolving Power

An effective solvent that can draw out substances.

Thermal Conduction

Shortens wait time for water to boil.

Kangen Water® improves the taste of your water and food.

- **With coffee or tea**
Enhances taste and aroma. Use less coffee and tea while extracting more flavor, color, taste, and richness.
- **With other acidic foods**
Balance the acidic effect of foods like meat and dairy with the alkaline effects of Kangen Water®.
- **When making soups and stews**
Kangen Water® extracts and amplifies the flavor of your ingredients for optimum taste. You'll need less seasoning, which is ideal for low-sodium diets.
- **Use for washing produce and vegetables**
Use Kangen Water® to make strong-tasting raw onions and other vegetables and fruits milder.
- **When Cooking Rice**
Wash and cook delicious, fluffy rice using Kangen Water®.



※What is ORP (Oxidation Reduction Potential)?

ORP (Oxidation Reduction Potential) is a value that measures the proportion of oxidizing ions (such as chlorine ions) and reduction ions (such as calcium ions) in a solution. For a negative value, the solution is an electron donor and can be easily oxidized. For a positive value, the solution is an oxidizing solution and can be easily reduced. This value is shown in mV (millivolt) and is used as a reference to display the degree of chemical reaction.

Water for beauty

Acidic Water pH 5.0 - 6.0
 ⚠️ Not suitable for drinking!
 pH6.0 button touch from the flexible pipe (At the same time, Kangen Water® will be released from the secondary pipe.)

Astringency

It has the power to tighten substances.

Cleaning Power

It has the power to purify substances.

Acidic water is especially effective in toning the skin.

It helps refresh the skin after a hot bath or shower and works to close the pores during facial cleansing and care.

For boiling pasta and making batters for frying.

Noodles and pasta will take on a brilliant sheen and improved texture when boiling in acidic water. Acidic water will also enhance the batter and crispy texture of fried foods.

As a cleaner.

Acidic water is effective in removing stubborn stains from dishes, cups, glasses and even bathroom tiles.



Water of security

Clean Water pH7.0
 Suitable for drinking
 pH7.0 button touch from the flexible pipe (At the same time, the secondary pipe also releases purified water, but please use the water released from the flexible pipe.)

Use clean water to take medication and make baby formula.

The three-layered, high-power water filter removed not only chlorine but also sediment, rust, and impurities. Clean water tastes delicious and includes essential minerals. Clean water is ideal for taking medications and for making baby formula.

