

Revolutionize your lifestyle with water

Change your water...
change your life™

Eco-friendly daily water

High performance with four electrode plates

Equipped with a built-in electrolysis enhancer tank

You will be prompted by a large LCD display

The power of Kangen water preserves
your body and the environment !

Leveluk Jr IV

Continuous Ionized Electrolysis Water Generator



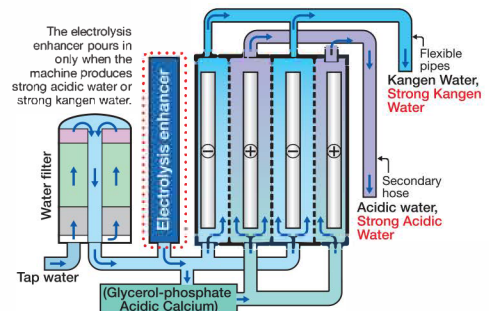
Conserve energy as you produce both strong acidic water and strong Kangen Water®

Point 1

An energy-saving machine that allows you to easily produce strong acidic water and strong Kangen Water®.

It is possible to produce a good amount of electrolyzed water of which the value of ORP is included in the range of +1130mV and -800mV and which boasts of good effects, by loading an electrolytic cell with four electrode plates that use electrodes made of platinum plated titanium. (That depends on the choice of resulting water and original water)

The Kangen water contains a lot of hydroxide ions (OH⁻) and positive ions (such as calcium ions) produced by electrolysis, and it also contains hydrogen.

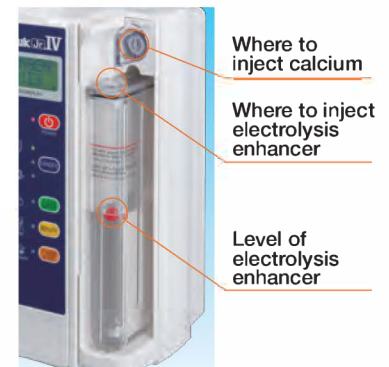


If you push the button for strong acidic water, the secondary hose releases strong acidic water and the flexible pipe releases strong kangen water at the same time.

Point 2

Equipped with an electrolysis enhancer tank Strong Acidic Water and Strong Kangen Water produced steadily and continuously.

The built-in tank for the electrolysis enhancer saves you the trouble of putting in the electrolysis enhancer which is necessary to obtain strong acid water and strong kangen water, and allows you to produce those kinds of water steadily and continuously that has excellent effects.

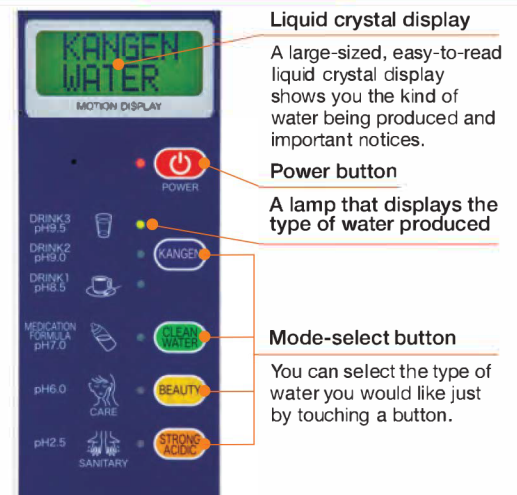


Point 3

You will be guided by a large-sized liquid crystal display (LCD). Easy to use one-touch panel.

A clear, large-sized LCD will inform you of the water being produced (Kangen Water®, acidic water, strong acidic water*, or clean water) and other necessary information. The operation is easy with the touch of a button to power up or select the type of water you would like.

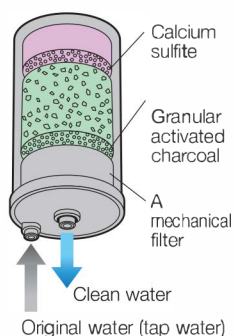
*When you push the button for strong acidic water, the secondary hose releases strong acidic water and the flexible pipe releases strong kangen water at the same time.



- Liquid crystal display**
A large-sized, easy-to-read liquid crystal display shows you the kind of water being produced and important notices.
- Power button**
A lamp that displays the type of water produced
- Mode-select button**
You can select the type of water you would like just by touching a button.

The three-layered, high-powered water-cleaning filter creates delicious water

Enagic's triple layer filter, with a spherical active carbon that meets NSF guidelines, is composed of a mechanical filter and calcium bi-sulfite, which is approved as a food additive (in some countries there may be exceptions). It produces healthy water and removes chlorine, rust, muddiness, and does not eliminate important minerals. Filter change will be notified by the LCD alarm. (Jr.II DX does not have sound notification)



When the flexible pipe is releasing kangen water, the secondary hose releases acidic water simultaneously. Similarly, when the flexible pipe is releasing strong kangen water, the secondary hose discharges strong acidic water.

(The flexible pipe releases acidic water only when you push the button for acidic water.)

With the one-touch convenience of the diverter, change between



ION
Clean Water

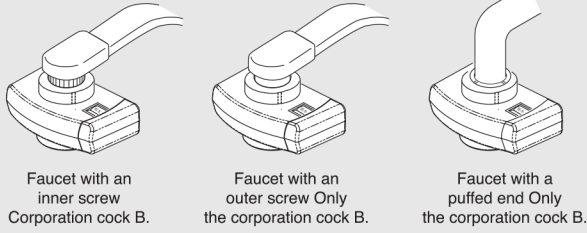


TAP
Tap water Shower



TAP
Tap water (Straight)

■ **Faucet types and diverter**

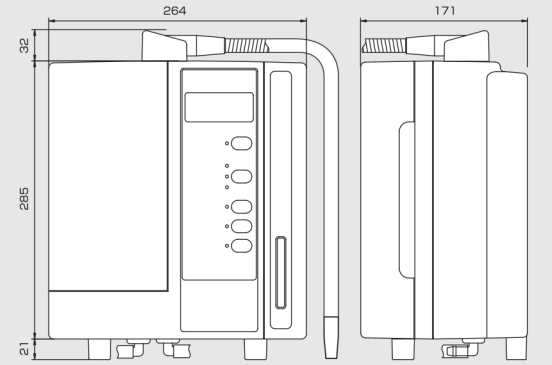


Faucet with an inner screw Corporation cock B.

Faucet with an outer screw Only the corporation cock B.

Faucet with a puffed end Only the corporation cock B.

■ **Scale drawing mm**



Gross Weight (wet) : 5.3kg

Standard Specifications

MODEL NAME · NUMBER	LevelLuk JrIV TYH-251	WATER FILTER	FILTERING MEDIUM	Activated Charcoal	Strong Acidic water
POWER SUPPLY	AC 120V or AC 220~240V		FILTRATION ABILITY	INITIAL CHROLINE REMOVAL	
POWER CONSUMPTION	Approximately 160W (under maximum electrolysis function)	ELEMENTS NOT REMOVABLE	Metallic ions and/or salinity present in original (tap) water		
SYSTEM	Continuous Ionized Electrolysis Water Generator System (with built-in flow rate sensor)	APPLICABLE WATER QUALITY AND PRESSURE	Municipally supplied drinking water: Dynamic range in 100~450 kPa		
PRODUCTION RATE	Kangen Water : 2.0~3.0L / min. Strong Acidic Water : 0.5~1.0L / min.	ELECTROLYSIS ENHANCER	Solution additive pump system		
LEVEL SELECTIONS	<ul style="list-style-type: none"> ●Kangen water /3 levels (approx. pH8.5~9.5) ●Clean water (neutral) ●Acidic water (approx. pH5.5~6.5) ●Strong Acidic water (approx. pH2.4~2.7) /Strong Kangen water (approx. pH11.0-) 	ENHANCER REFILLING	Indicates by buzzer and LCD		
ELECTROLYSIS CAPABILITY UNDER CONTINUOUS USE	Approx. 30 min. at normal room temperature.	PROTECTOR	Current Limiter/Voltage Stabilizer/Thermal Protection		
CELL CLEANING METHOD	Auto cleaning system (periodically controlled by microcomputer).				
ELECTRODE MATERIAL	Platinum-plated Titanium				

SAFETY PRECAUTIONS For your own safety, be sure to observe the following precautions

⚠ WARNING	⚠ CAUTION
<ul style="list-style-type: none"> ● Please read the Operation Manual carefully, and follow all instructions. ● Pay strict attention to the following points before consuming Ionized alkaline water (KANGEN WATER®) : <ol style="list-style-type: none"> (1) Do not take medicine(s) with KANGEN WATER®. (2) Those with an acidity conditions should not consume KANGEN WATER®. (3) Should you experience any abnormal feelings after consuming ● KANGEN WATER®, discontinue use immediately. Also, consult with your physician prior to consuming KANGEN WATER® Should you have any concerns. ● Those under the care of a physician should consult with their physician before consuming KANGEN WATER®. ● Those with sensitive skin or allergies should consult their physician before consuming KANGEN WATER®. ● Those with allergic reactions or sensitivity to acidic water should consult their physician. 	<ul style="list-style-type: none"> ● For those drinking KANGEN WATER® for the 1st time: It is recommend the you start drinking KANGEN WATER® at 8.5pH with 1~2 glasses/day for on week. ● You can then gradually increase the pH level. ● Should you experience a rash after drinking KANGEN WATER®: Those with allergies to certain foods may experience rash-like symptoms. Consult with your physician. ● Use municipally-treated tap water.

- The specifications or appearance of the product are subject to manufacturer's improvements without prior notice.
- Please be aware that actual products may differ slightly in color, etc from that seen in print.
- For more information about the product, please inquire with the sales dealer in your district or area.
- Every product has an accompanying warranty card, which shall be filled in and issued by the Representative Sales Firm. Please check the contents and keep it in safe place for later use during the period of warranty.

Distributor

AlphaWater

32 San Agustin Drive corner Josefina Drive
Sta. Lucia Village, P.F. Espiritu 4
Bacoor City, Cavite 4102

Phone: 0917-711-4209 or 0927-002-3699
Email: kangenlife@alphawater.net
Website: www.alphawater.net

